


Model Number	Nominal Size (Inches) W x H x D	Actual Size (Inches) W x H x D	Rated Air Flow (CFM)	Initial Resistance (IN W.G.)	Media Area (Square Feet)
DP40-117	10 x 20 x 1	9-1/2 x 19-1/2 x 3/4	425	.21	2.9
DP40-120	12 x 20 x 1	11-1/2 x 19-1/2 x 3/4	500	.21	3.1
DP40-110	12 x 24 x 1	11-3/8 x 23-3/8 x 3/4	600	.21	3.7
DP40-139	14 x 20 x 1	13-1/2 x 19-1/2 x 3/4	590	.21	3.8
DP40-141	14 x 25 x 1	13-1/2 x 24-1/2 x 3/4	730	.21	4.8
DP40-145	15 x 20 x 1	14-1/2 x 19-1/2 x 3/4	630	.21	4.1
DP40-101	16 x 20 x 1	15-1/2 x 19-1/2 x 3/4	670	.21	4.3
DP40-102	16 x 25 x 1	15-1/2 x 24-1/2 x 3/4	840	.21	5.3
DP40-112	18 x 24 x 1	17-3/8 x 23-3/8 x 3/4	900	.21	6.0
DP40-185	18 x 25 x 1	17-1/2 x 24-1/2 x 3/4	940	.21	6.2
DP40-103	20 x 20 x 1	19-1/2 x 19-1/2 x 3/4	840	.21	5.4
DP40-104	20 x 25 x 1	19-1/2 x 24-1/2 x 3/4	1050	.21	6.8
DP40-105	24 x 24 x 1	23-3/8 x 23-3/8 x 3/4	1200	.21	7.7
DP40-125	25 x 25 x 1	24-1/2 x 24-1/2 x 3/4	1310	.21	8.6
DP40-132	30 x 20 x 1	29-1/2 x 19-1/2 x 3/4	1250	.21	8.3

STANDARD CONSTRUCTION

1. Green Cotton / Polyester High Loft Media
2. 14.0 Pleats Per Foot
3. Expanded Metal Pleat Supports
4. Moisture Resistant Beverage Board Frame
5. Double Wall Frame

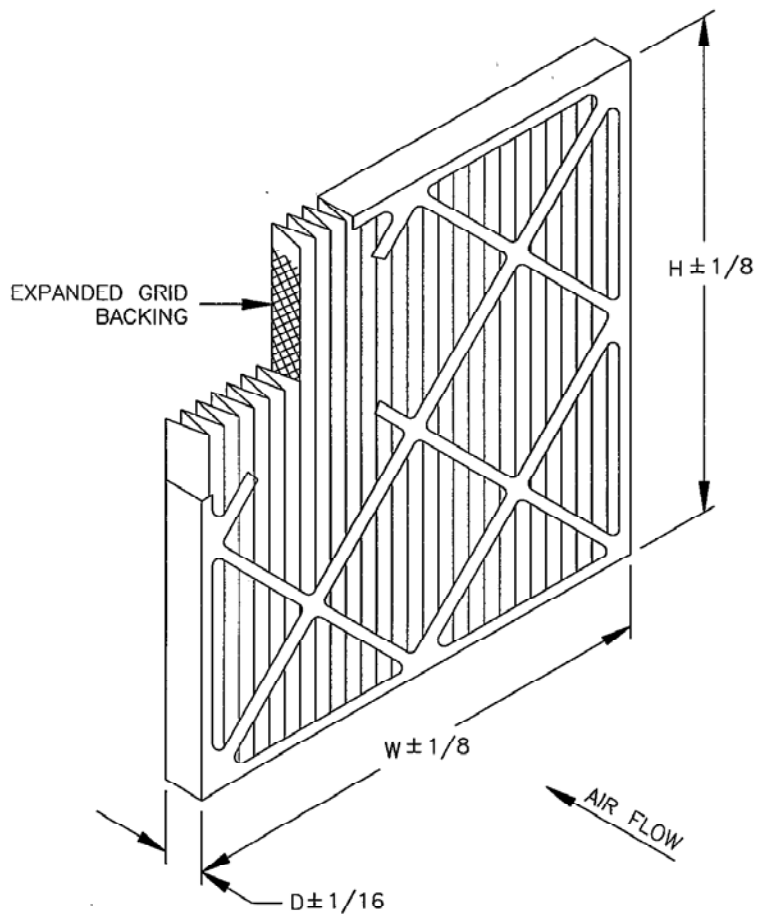
NOTES

1. Average Efficiency: 25-30% ASHRAE 52.1-1992
MERV 7 ASHRAE 52.2-1999
2. Final Resistance: 1.0" W.G.
3. Rated Velocity: 300 FPM
4. Class 2 Filter Per U.L. Standard 900
5. Maximum Operating Temperature: 225 deg. F

	ONE SOURCE FOR AIR FILTRATION PRODUCTS	P.O. Box 32578 Louisville, KY 40232 P: 502-969-2304 F: 502-961-0930
	CONTACT FACTORY TO VERIFY REVISION LEVEL	

TOLERANCES UNLESS OTHERWISE SPECIFIED		
FRACTIONAL		
DECIMAL		
ANGLES		
ALL DIMENSIONS IN INCHES		

DRAWING NAME			
TYPE DP-40 PLEAT (1" DEPTH)			
APPROVED BY	SPECIFICATION NO.	PAGE	
<i>R. Com</i>	MKT-B-00150	1 OF 1	
SCALE	DWG. SIZE	REVISION	REVISION DATE
NONE	A	C	08-06-04
<small>CONFIDENTIAL - DO NOT COPY. THIS MATERIAL IS TRADE SECRET AND PROPRIETARY BEING EXCLUSIVELY OWNED BY AIRGUARD. THE EXPRESSION OF THE INFORMATION CONTAINED HEREIN IS PROTECTED UNDER FEDERAL COPYRIGHT LAWS AND ALL COPYING IS PROHIBITED AND MAY BE SUBJECT TO CRIMINAL PENALTIES.</small>			



Model Number	Nominal Size (Inches) W x H x D	Actual Size (Inches) W x H x D	Rated Air Flow (CFM)	Initial Resistance (IN W.G.)	Media Area (Square Feet)
DP40-217	10 x 20 x 2	9-1/2 x 19-1/2 x 1-3/4	700	.30	5.7
DP40-220	12 x 20 x 2	11-1/2 x 19-1/2 x 1-3/4	840	.30	7.3
DP40-210	12 x 24 x 2	11-3/8 x 23-3/8 x 1-3/4	1000	.30	8.6
DP40-239	14 x 20 x 2	13-1/2 x 19-1/2 x 1-3/4	980	.30	8.8
DP40-241	14 x 25 x 2	13-1/2 x 24-1/2 x 1-3/4	1220	.30	11.0
DP40-298	15 x 27 x 2	14-1/2 x 26-3/4 x 1-3/4	1350	.30	12.1
DP40-245	15 x 20 x 2	14-1/2 x 19-1/2 x 1-3/4	1050	.30	9.3
DP40-201	16 x 20 x 2	15-1/2 x 19-1/2 x 1-3/4	1120	.30	9.9
DP40-216	16 x 24 x 2	15-3/8 x 23-3/8 x 1-3/4	1340	.30	11.7
DP40-202	16 x 25 x 2	15-1/2 x 24-1/2 x 1-3/4	1400	.30	12.3
DP40-280	18 x 20 x 2	17-1/2 x 19-1/2 x 1-3/4	1250	.30	10.9
DP40-212	18 x 24 x 2	17-3/8 x 23-3/8 x 1-3/4	1500	.30	13.0
DP40-285	18 x 25 x 2	17-1/2 x 24-1/2 x 1-3/4	1570	.30	13.6
DP40-203	20 x 20 x 2	19-1/2 x 19-1/2 x 1-3/4	1400	.30	11.9
DP40-211	20 x 24 x 2	19-3/8 x 23-3/8 x 1-3/4	1670	.30	14.2
DP40-204	20 x 25 x 2	19-1/2 x 24-1/2 x 1-3/4	1750	.30	14.9
DP40-205	24 x 24 x 2	23-3/8 x 23-3/8 x 1-3/4	2000	.30	17.6
DP40-225	25 x 25 x 2	24-1/2 x 24-1/2 x 1-3/4	2170	.30	19.4

STANDARD CONSTRUCTION

1. Green Cotton / Polyester High Loft Media
2. 14.3 Pleats Per Foot
3. Expanded Metal Pleat Supports
4. Moisture Resistant Beverage Board Frame
5. Double Wall Frame

NOTES

1. Average Efficiency: 25-30% ASHRAE 52.1-1992
MERV 7 ASHRAE 52.2-1999
2. Final Resistance: 1.0" W.G.
3. Rated Velocity: 500 FPM
4. Class 2 Filter Per U.L. Standard 900
5. Maximum Operating Temperature: 225 deg. F

AIRGUARD ONE SOURCE FOR AIR FILTRATION PRODUCTS

P.O. Box 32578
Louisville, KY 40232
P: 502-969-2304
F: 502-961-0930

CONTACT FACTORY TO VERIFY REVISION LEVEL

TOLERANCES
UNLESS OTHERWISE SPECIFIED

FRACTIONAL
DECIMAL
ANGLES

ALL DIMENSIONS IN INCHES

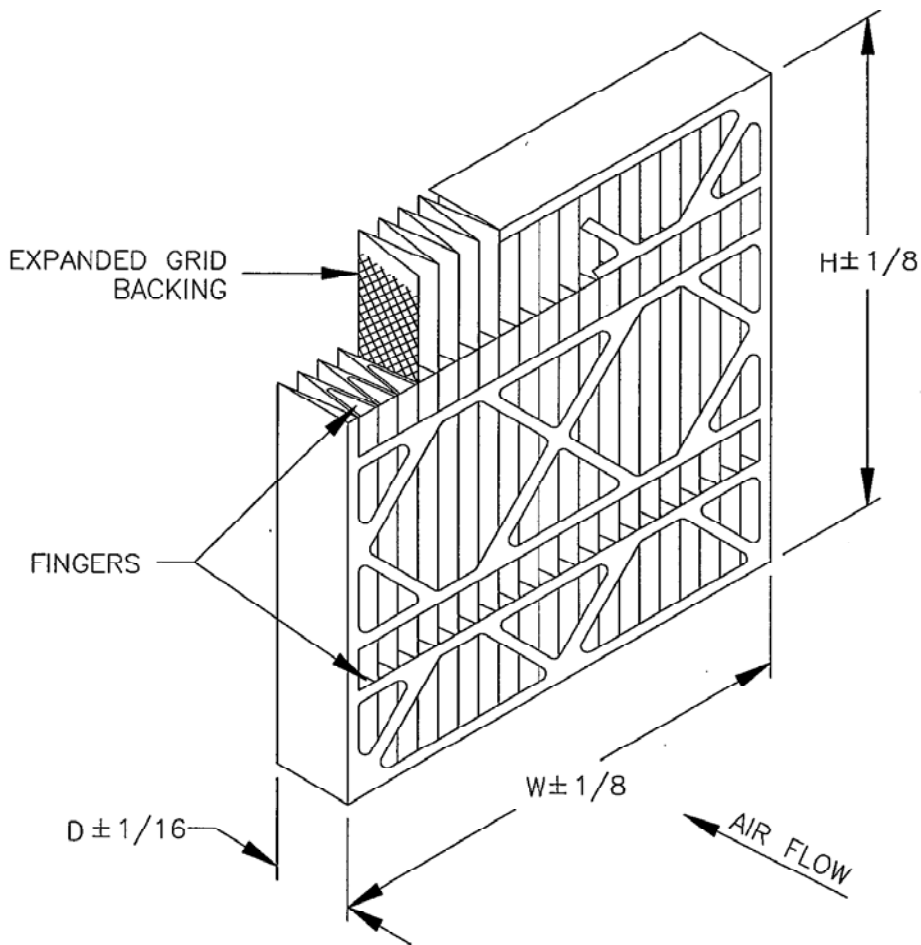
DRAWING NAME
TYPE DP-40 PLEAT (2" DEPTH)

APPROVED BY *K. O. O.* SPECIFICATION NO. MKT-B-00151 PAGE 1 OF 1

SCALE NONE DIV. SIZE A REVISION D REVISION DATE 08-05-05

CONFIDENTIAL - DO NOT COPY. THIS MATERIAL IS TRADE SECRET AND PROPRIETARY BEING EXCLUSIVELY OWNED BY AIRGUARD. THE EXPRESSION OF THE INFORMATION CONTAINED HEREIN IS PROTECTED UNDER FEDERAL COPYRIGHT LAWS AND ALL COPYING IS PROHIBITED AND MAY BE SUBJECT TO CRIMINAL PENALTIES.

Model Number	Nominal Size (Inches) W x H x D	Actual Size (Inches) W x H x D	Rated Air Flow (CFM)	Initial Resistance (IN W.G.)	Media Area (Square Feet)
DP40-410	12 x 24 x 4	11-3/8 x 23-3/8 x 3-3/4	1000	.25	12.4
DP40-498	15 x 27 x 4	14-1/2 x 26-3/4 x 3-3/4	1350	.25	20.8
DP40-401	16 x 20 x 4	15-1/2 x 19-1/2 x 3-3/4	1120	.25	14.6
DP40-402	16 x 25 x 4	15-3/8 x 24-3/8 x 3-3/4	1400	.25	18.3
DP40-412	18 x 24 x 4	17-1/2 x 23-1/2 x 3-3/4	1500	.25	19.9
DP40-403	20 x 20 x 4	19-1/2 x 19-1/2 x 3-3/4	1400	.25	18.8
DP40-411	20 x 24 x 4	19-3/8 x 23-3/8 x 3-3/4	1670	.25	22.4
DP40-404	20 x 25 x 4	19-1/2 x 24-1/2 x 3-3/4	1750	.25	23.5
DP40-405	24 x 24 x 4	23-3/8 x 23-3/8 x 3-3/4	2000	.25	26.1
DP40-424	25 x 29 x 4	24-1/2 x 28-1/2 x 1-3/4	2430	.25	32.6
DP40-430	30 x 28 x 4	30 x 28 x 3-3/4	2920	.25	38.5



STANDARD CONSTRUCTION

1. Green Cotton / Polyester High Loft Media
2. 10.8 Pleats Per Foot
3. Expanded Metal Pleat Supports
4. Moisture Resistant Beverage Board Frame
5. Double Wall Frame
6. (2) Rows of Fingers on Air Entering Side

NOTES

1. Average Efficiency: 25-30% ASHRAE 52.1-1992
MERV 7 ASHRAE 52.2-1999
2. Final Resistance: 1.0" W.G.
3. Rated Velocity: 500 FPM
4. Class 2 Filter Per U.L. Standard 900
5. Maximum Operating Temperature: 225 deg. F

AIRGUARD ONE SOURCE FOR AIR FILTRATION PRODUCTS
P.O. Box 32578
Louisville, KY 40232
P: 502-969-2304
F: 502-961-0930

CONTACT FACTORY TO
VERIFY REVISION LEVEL

TOLERANCES
UNLESS OTHERWISE SPECIFIED

FRACTIONAL
DECIMAL
ANGLES

ALL DIMENSIONS IN INCHES

DRAWING NAME: **TYPE DP-40 PLEAT (4" DEPTH)**

APPROVED BY: *R. O. O.* SPECIFICATION NO. MKT-B-00152 PAGE 1 OF 1

SCALE: NONE DWG. SIZE: A REVISION: D REVISION DATE: 08-06-04

CONFIDENTIAL - DO NOT COPY. THIS MATERIAL IS TRADE SECRET AND PROPRIETARY BEING EXCLUSIVELY OWNED BY AIRGUARD. THE EXPRESSION OF THE INFORMATION CONTAINED HEREIN IS PROTECTED UNDER FEDERAL COPYRIGHT LAWS AND ALL COPYING IS PROHIBITED AND MAY BE SUBJECT TO CRIMINAL PENALTIES.