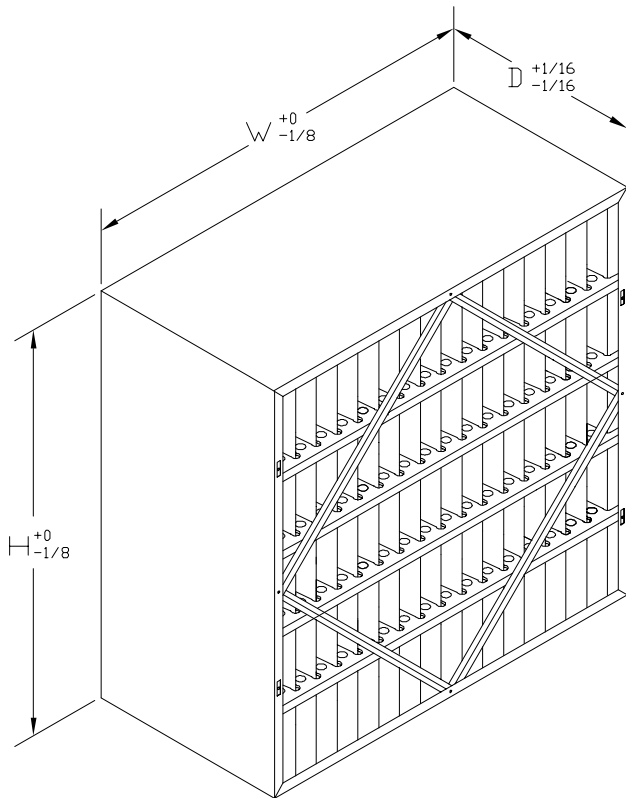


Model Number *	Nominal Size (Inches) H x W x D	Actual Size (Inches) H x W x D	Rated Air Flow (CFM)	Initial Resistance (IN W.G.)				Media Area (Square Feet)
				90-95%	80-85%	80-85%	80-85%	
RS-_13	20 x 20 x 12	19-3/8 x 19-3/8 x 11-1/2	1400	.51	.42	.23	.18	39
RS-_03	24 x 12 x 12	24-3/8 x 11-3/8 x 11-1/2	1000	.51	.42	.23	.18	28
RS-_15	24 x 20 x 12	23-3/8 x 19-3/8 x 11-1/2	1650	.51	.42	.23	.18	47
RS-_04	24 x 24 x 12	23-3/8 x 23-3/8 x 11-1/2	2000	.51	.42	.23	.18	58
RS-_14	20 x 20 x 6	19-3/8 x 19-3/8 x 5-7/8	700	.51	.42	.23	.18	20
RS-_01	24 x 12 x 6	23-3/8 x 11-3/8 x 5-7/8	500	.51	.42	.23	.18	15
RS-_02	24 x 24 x 6	23-3/8 x 23-3/8 x 5-7/8	1000	.51	.42	.23	.18	30

\* Insert Filter Efficiency Code (9=90-95%, 8=80-85%). Example: RS-904-BIO is 90-95%, 24x24x12 Nominal Size.


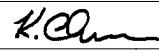


#### STANDARD CONSTRUCTION

1. High Efficiency Synthetic Filter Media w/ Antimicrobial Treatment
2. Expanded Metal Pleat Supports
3. Adhesive Seal on All Four Media Pack Sides
4. 24 Gauge Galvanized Steel Cell Sides
5. Plastic Fingers Maintain Pleat Spacing
6. Diagonal Support Braces on Air Entering and Air Leaving Sides for Additional Rigidity
7. (4) Retainer Holes for Spring Latches, Both Sides

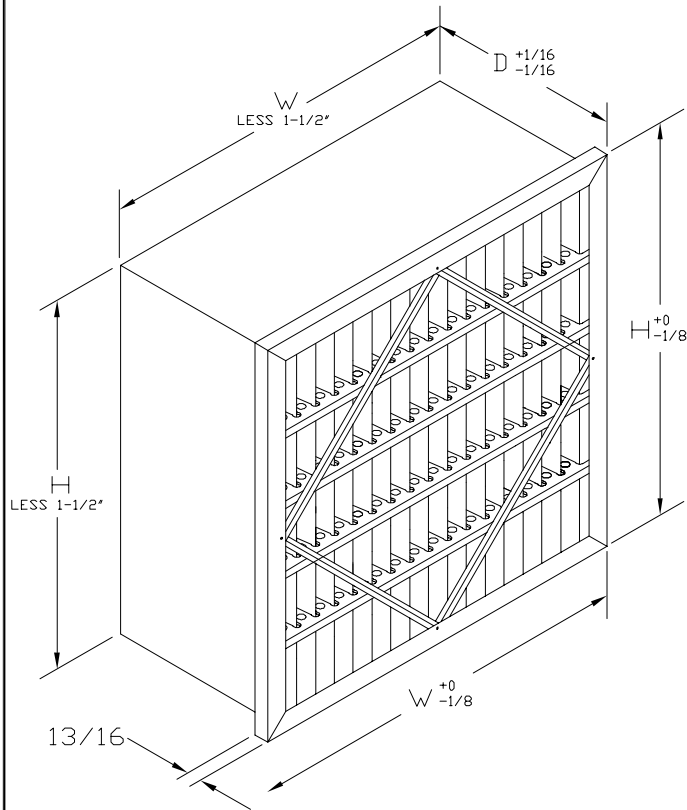
#### NOTES

1. Average Efficiency, MERV
  - 90-95% ASHRAE 52.1-1992, MERV 14 ASHRAE 52.2-1999
  - 80-85% ASHRAE 52.1-1992, MERV 13 ASHRAE 52.2-1999
2. Final Resistance: 1.5" W.G.
3. Rated Velocity 12" Deep - 500 FPM
4. Rated Velocity 6" Deep - 250 FPM
5. Class 2 Filter Per U.L. Standard 900
5. Maximum Operating Temperature: 180 deg. F
7. Optional Gasket Available
  - U - Upstream Gasket (Ex: RS-904-U)
  - D - Downstream Gasket
  - UD - Both Sides
8. Special Sizes Not Available

	P.O. Box 32578 Louisville, KY 40232 P: 866-247-4827 F: 502-961-0930 © www.airguard.com	<b>TOLERANCES</b> UNLESS OTHERWISE SPECIFIED		DRAWING NAME <b>VARI-PAK MODEL S</b>					
	<b>CONTACT FACTORY TO</b> <b>VERIFY REVISION LEVEL</b>	FRACTIONAL - DECIMAL - ANGLES -	ALL DIMENSIONS IN INCHES	APPROVED BY 	SPECIFICATION NO. <b>MKT-B-00130</b>	PAGE <b>1 OF 1</b>	SCALE <b>NONE</b>	DWG. SIZE <b>A</b>	REVISION <b>E</b>
<small>CONFIDENTIAL - DO NOT COPY. THIS MATERIAL IS TRADE SECRET AND PROPRIETARY BEING EXCLUSIVELY OWNED BY CLC AIR. THE EXPRESSION OF THE INFORMATION CONTAINED HEREIN IS PROTECTED UNDER FEDERAL COPYRIGHT LAWS AND ALL COPYING IS PROHIBITED AND MAY BE SUBJECT TO CRIMINAL PENALTIES.</small>									

Model Number *	Nominal Size (Inches) H x W x D	Actual Size (Inches) H x W x D	Rated Air Flow (CFM)	Initial Resistance (IN W.G.)				Media Area (Square Feet)
				90-95%	80-85%	60-65%	50-55%	
RS_13-PH	20 x 20 x 12	19-3/8 x 19-3/8 x 11-1/2	1400	.59	.50	.29	.26	32
RS_03-PH	24 x 12 x 12	24-3/8 x 11-3/8 x 11-1/2	1000	.59	.50	.29	.26	23
RS_15-PH	24 x 20 x 12	23-3/8 x 19-3/8 x 11-1/2	1650	.59	.50	.29	.26	40
RS_04-PH	24 x 24 x 12	23-3/8 x 23-3/8 x 11-1/2	2000	.59	.50	.29	.26	47
RS_14-PH	20 x 20 x 6	19-3/8 x 19-3/8 x 5-7/8	700	.59	.50	.29	.26	17
RS_01-PH	24 x 12 x 6	23-3/8 x 11-3/8 x 5-7/8	500	.59	.50	.29	.26	13
RS_02-PH	24 x 24 x 6	23-3/8 x 23-3/8 x 5-7/8	1000	.59	.50	.29	.26	27

\* Insert Filter Efficiency (9=90-95%, 8=80-85%, 6=60-65%, 5=50-55%). Example: RS-904-PH



#### STANDARD CONSTRUCTION

1. High Efficiency Synthetic Filter Media
2. Expanded Metal Pleat Supports
3. Adhesive Seal on All Four Media Pack Sides
4. 24 Gauge Galvanized Steel Cell Sides
5. Plastic Fingers Maintain Pleat Spacing
6. Diagonal Support Braces on Air Entering and Air Leaving Sides for Additional Rigidity
7. 13/16" Header on Air Entering Side Standard
8. 1-1/8" 'C' Style Header Optional  
(Add 'CH' Suffix on the Model Number)

#### NOTES

1. Average Efficiency, MERV
  - 90-95% ASHRAE 52.1-1992, MERV 14 ASHRAE 52.2-1999
  - 80-85% ASHRAE 52.1-1992, MERV 13 ASHRAE 52.2-1999
  - 60-65% ASHRAE 52.1-1992, MERV 11 ASHRAE 52.2-1999
  - 50-55% ASHRAE 52.1-1992, MERV 10 ASHRAE 52.2-1999
2. Final Resistance: 1.5" W.G.
3. Rated Velocity 12" Deep - 500 FPM
4. Rated Velocity 6" Deep - 250 FPM
5. Class 2 Filter Per U.L. Standard 900
6. Maximum Operating Temperature: 180 deg. F
7. Optional Gasket Available
  - U - Upstream Gasket (Ex: RS-904-PH-U)
  - D - Downstream Gasket
  - UD- Both Sides
  - SA - Side Access
8. Special Sizes Not Available



P.O. Box 32578  
Louisville, KY 40232  
P: 866-247-4827  
F: 502-961-0930  
© www.airguard.com

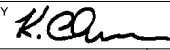
CONTACT FACTORY TO  
VERIFY REVISION LEVEL

TOLERANCES  
UNLESS OTHERWISE SPECIFIED

FRACTIONAL	-
DECIMAL	-
ANGLES	-

ALL DIMENSIONS IN INCHES

DRAWING NAME: **VARI-PAK MODEL S/PH**

APPROVED BY: 	SPECIFICATION NO. <b>MKT-B-00132</b>	PAGE <b>1 OF 1</b>
SCALE: <b>NONE</b>	DWG. SIZE: <b>A</b>	REVISION: <b>D</b>
REVISION DATE: <b>10/22/08</b>		

CONFIDENTIAL - DO NOT COPY. THIS MATERIAL IS TRADE SECRET AND PROPRIETARY BEING EXCLUSIVELY OWNED BY CLC AIR. THE EXPRESSION OF THE INFORMATION CONTAINED HEREIN IS PROTECTED UNDER FEDERAL COPYRIGHT LAWS AND ALL COPYING IS PROHIBITED AND MAY BE SUBJECT TO CRIMINAL PENALTIES.