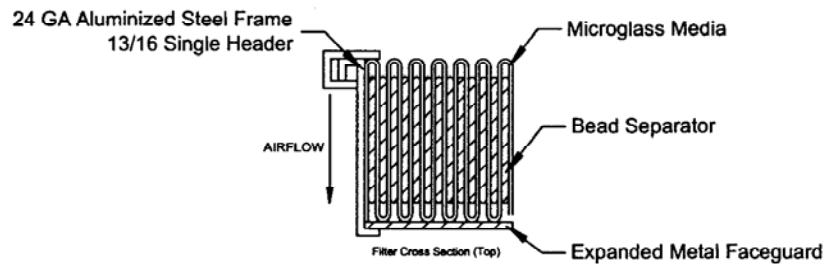
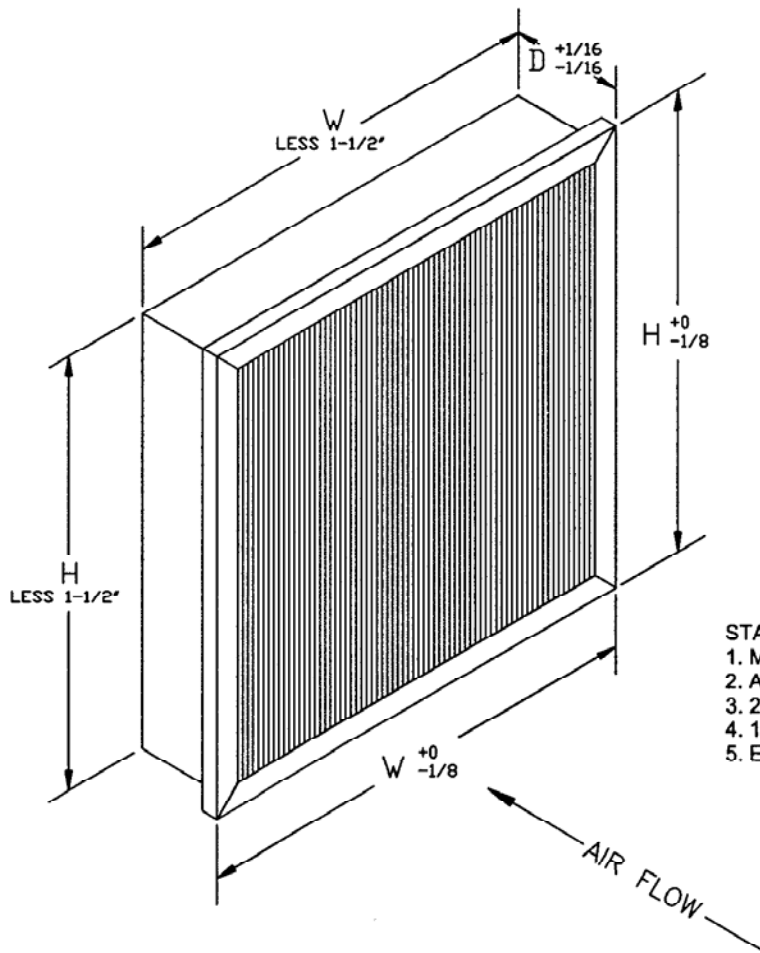


Model Number	Nominal Size (Inches) W x H x D	Actual Size (Inches) W x H x D	Rated Air Flow (CFM)	Initial Resistance (IN W.G.)			Media Area (Square Feet)
				90-95%	80-85%	60-65%	
VF2-MC-904	24 x 24 x 4	23-3/8 x 23-3/8 x 3-3/4	2000	.80			97
VF2-MC-915	20 x 24 x 4	19-3/8 x 23-3/8 x 3-3/4	1650	.80			79
VF2-MC-913	20 x 20 x 4	19-3/8 x 19-3/8 x 3-3/4	1400	.80			64
VF2-MC-903	12 x 24 x 4	11-3/8 x 23-3/8 x 3-3/4	1000	.80			44
VF2-MC-804	24 x 24 x 4	23-3/8 x 23-3/8 x 3-3/4	2000		.71		80
VF2-MC-815	20 x 24 x 4	19-3/8 x 23-3/8 x 3-3/4	1650		.71		66
VF2-MC-813	20 x 20 x 4	19-3/8 x 19-3/8 x 3-3/4	1400		.71		54
VF2-MC-803	12 x 24 x 4	11-3/8 x 23-3/8 x 3-3/4	1000		.71		36
VF2-MC-604	24 x 24 x 4	23-3/8 x 23-3/8 x 3-3/4	2000			.55	90
VF2-MC-615	20 x 24 x 4	19-3/8 x 23-3/8 x 3-3/4	1650			.55	73
VF2-MC-613	20 x 20 x 4	19-3/8 x 19-3/8 x 3-3/4	1400			.55	60
VF2-MC-603	12 x 24 x 4	11-3/8 x 23-3/8 x 3-3/4	1000			.55	40



STANDARD CONSTRUCTION

1. Media: Micro-Glass Fiber / Acrylic Resin Binder
2. Adhesive Bead Separator Mini-Pleat
3. 24 GA Aluminized Steel Frame
4. 13/16" Single Header
5. Expanded Metal Faceguard - D/S

NOTES

1. Average Efficiency, MERV (52.2)
90-95% ASHRAE 52.1-1992, MERV 14 ASHRAE 52.2-1999
80-95% ASHRAE 52.1-1992, MERV 13 ASHRAE 52.2-1999
60-65% ASHRAE 52.1-1992, MERV 11 ASHRAE 52.2-1999
2. Final Resistance: 1.5" W.G.
3. Rated Velocity 4" Deep - 500 FPM
4. Class 2 Filter Per U.L. Standard 900
5. Maximum Operating Temperature: 170 deg. F
6. Optional Gasket Available
U - Upstream Gasket (Ex: VF2-MC-904-U)
D - Downstream Gasket
UD- Both Sides
7. Reverse Pleat Orientation Available
Add "-R" to Model Number (Ex: VF2-MC-915R)

AIRGUARD ONE SOURCE FOR AIR FILTRATION PRODUCTS
 P.O. Box 32578
 Louisville, KY 40232
 P: 502-969-2304
 F: 502-961-0930

CONTACT FACTORY TO VERIFY REVISION LEVEL

TOLERANCES UNLESS OTHERWISE SPECIFIED

FRACTIONAL
 DECIMAL
 ANGLES

ALL DIMENSIONS IN INCHES

DRAWING NAME: **VARIFLOW II-MC**

APPROVED BY: *H. C. ...* SPECIFICATION NO. MKT-B-00215 PAGE 1 OF 1

SCALE: NONE DIV. SIZE: A REVISION: E REVISION DATE: 01-11-05

CONFIDENTIAL - DO NOT COPY. THIS MATERIAL IS TRADE SECRET AND PROPRIETARY BEING EXCLUSIVELY OWNED BY AIRGUARD. THE EXPRESSION OF THE INFORMATION CONTAINED HEREIN IS PROTECTED UNDER FEDERAL COPYRIGHT LAWS AND ALL COPYING IS PROHIBITED AND MAY BE SUBJECT TO CRIMINAL PENALTIES.